

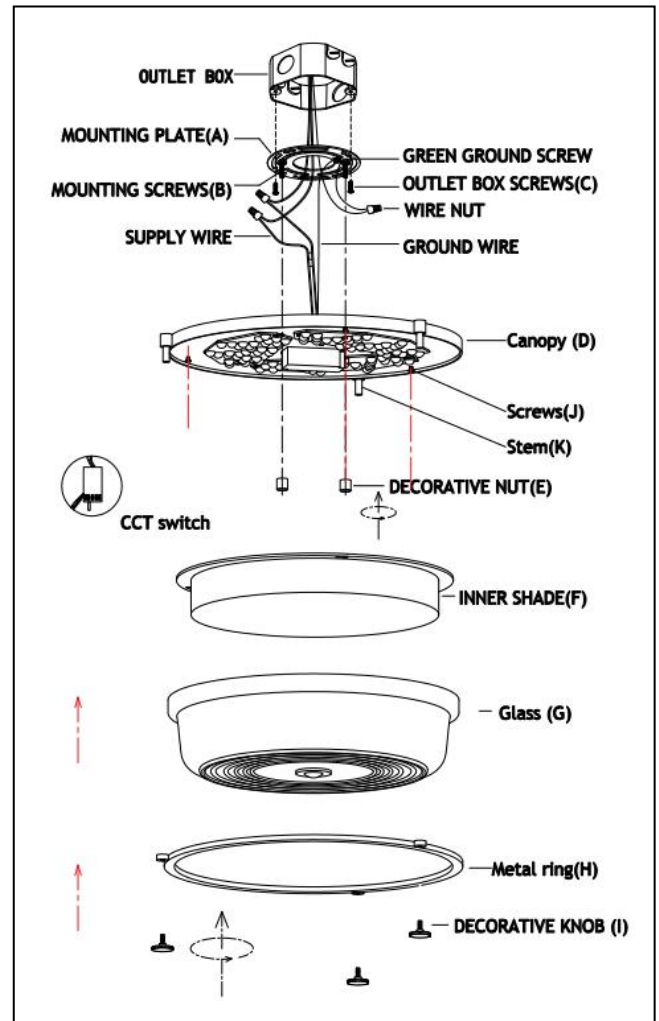
ASSEMBLY AND INSTALLATION INSTRUCTIONS

TO AVOID RISK OF ELECTRICAL SHOCK, BE SURE TO SHUT OFF
WARNING: POWER WHILE INSTALLING OR SERVICING THIS FIXTURE.

NOTE: Before installing, consult local electrical codes for wiring and grounding requirement.

Installation Steps.

1. Attach the mounting plate (A) to the outlet box using 2 outlet box screws (C).
2. Select desired CCT: 2700k, 3000K, 4000K, 5000K, 6500K on the CCT switch located in the canopy (D).
3. Make wire connections:
 - Attach the ground wire to house ground wire using a wire nut.
 - (Or attach them to the mounting plate (A) with a green ground screw.
 - Attach white wire from light to white wire from power source with a wire nut.
 - Attach black wire from light to black wire from power source with a wire nut.
4. Attach the canopy (D) to mounting plate (A) by using decorative nut(E).
5. Twist the the inner shade(F) in a clockwise direction to secure to screws (J).
6. Lift glass (G) and metal ring(H) into canopy (D) and tighten decorative knob(I) to secure to stem(k).
7. Turn on the power.



#368-14-XX
#368-18-XX